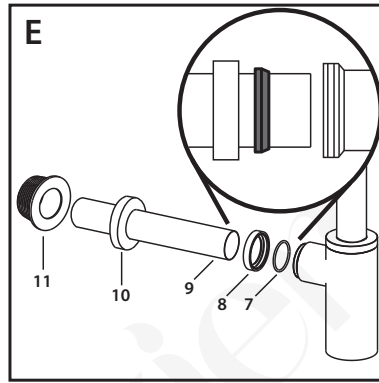


Installation (cont.)

6. Slide the outlet locking nut (8) and rubber seal (7) onto one end of the outlet pipe (9). (NOTE: rubber seal (7) must be installed with tapered end pointing to the bottle drain body as shown in Fig. E). Install the flange (10) onto the other end of the outlet pipe (9)

7. Insert the outlet pipe assembly to the bottle drain body and the waste drain pipe. Tighten the outlet locking nut (8) to secure the bottle drain. Use plumber's putty and the stub-out (11) can help prevent water leak. Slide the flange (10) against the finished wall to complete the installation.

8. Make sure all connections are tightened and run the faucet for about a minute while check for leak. Make adjustment as needed.



Cleaning

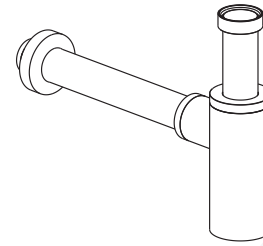
1. Place a spill tray under the drain. Use a large flathead screwdriver or a coin and turn the drain cover (13) counterclockwise.
2. Remove any debris that has collected in the bottle drain body (6).
3. Reinstall the drain cover with the o-ring to the bottle drain body

Maintenance Guide

Please follow the cleaning material manufacturer's instructions. Damage caused by improper treatment will not be covered by product warranty. In addition, pay attention to the following points:

- Regular cleaning can prevent mineral build up on surface.
- Carefully read the cleaner product label to ensure the cleaner is safe for use on the material.
- Test the cleaner on a small area before using on the entire surface.
- Use a mild detergent such as liquid dishwashing soap and warm water for cleaning.
- Do not use abrasive / harsh chemical when cleaning the fixture as they will damage and dull the finish.
- When using spray cleaners, spray first onto a soft cloth or sponge. Never spray directly onto the faucet as droplets can enter openings and gaps and cause damage.
- After cleaning, rinse thoroughly with clean water to remove any cleaner residue.

luxier®



Bottle Trap

Available Finishes:

- Brushed Gold
- Brushed Nickel
- Chrome
- Matte Black
- Oil Rubbed Bronze

Important Information

- This installation guide is subject to change without notice.
- Read and understand this installation guide completely.
- Observe all local plumbing and building codes.
- This is only a general installation guideline, actual installation steps may vary. Consult a professional if necessary.
- Product drawings in this installation guide is for illustration purpose only. Actual product may vary by models.
- It is recommended that the installation of this product be performed by trained and experienced installers.

Tools you may need

Screwdriver, tape measure, masking tape, hacksaw, soft cloth, plumber's putty, eye protection, gloves.

Warranty

Limited **Two (2)** Year Warranty (For USA Only)

The manufacturer warrants this product to be leak and drip free during daily normal household use for as long as it is owned by the original purchaser of this product. Please keep a copy of the original invoice as proof of purchase.

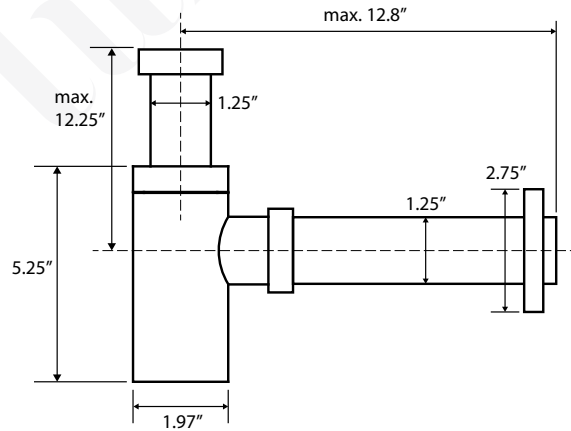
Should a malfunction occur within the warranty period, Luxier USA will, as its option, (1) repair or replace the defective part(s) or product at no charge; (2) issue a refund of the purchase price paid for the product (Valid within 30 days from the date of purchase); or (3) issue a credit to be applied against the purchase of a new Luxier product. Shipping/delivery charges may apply and are in Luxier USA's sole discretion.

This limited warranty shall not apply to goods which have been subject to accident, negligence, improper installation, product abuse, product misuse, or use of cleaners containing abrasives, alcohol or other organic solvents, whether performed by a contractor, service company, or yourself, are excluded from this warranty.

Our responsibility under this warranty is limited to only to replacement parts and no other costs. Luxier USA will not be responsible for labor charges and/or damage incurred by installation, repair or replacement, nor for any indirect incidental or consequential damages, losses, injury or costs of any nature relating to this faucet. Except as provided by law, this warranty is in lieu of and excludes all other warranties, conditions, and guarantees, whether expressed or implied, statutory or otherwise, including without restriction those merchantability of fitness for use.

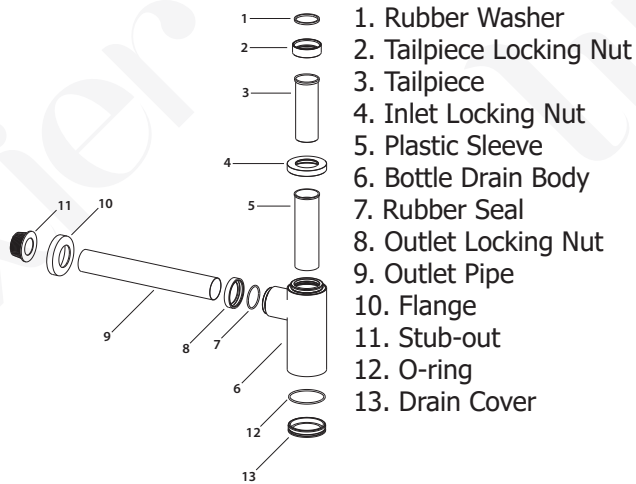
This limited warranty is non-transferable. This limited warranty only applies to products purchased and installed in the United States. This limited warranty covers the original consumer purchase only and does not include business, commercial or industrial use of this product. To obtain service under the Limited Warranty, please contact Luxier USA at support@luxierusa.com. The Luxier USA Customer Care Department will determine whether to repair or replace your product, issue a refund, or issue a credit.

Dimensions



* Drawings not to Scale. All Measurements are Approximate *

Parts

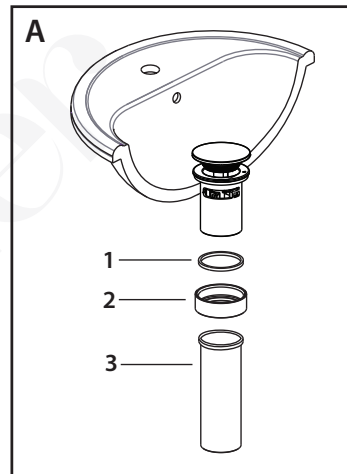


Installation

1. Install the drain to the sink according to the manufacturer installation instruction.

2. Install the tailpiece (3) to the drain as shown in Fig. A. Make sure the rubber washer (1) installed properly at the joint and tightened the tailpiece locking nut (2).

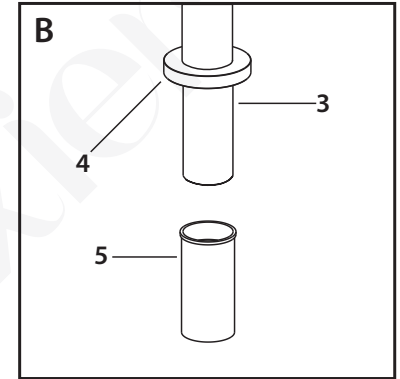
NOTE: The length of the tailpiece (3) can be cut to a shorter length with hacksaw to fit different installation height.



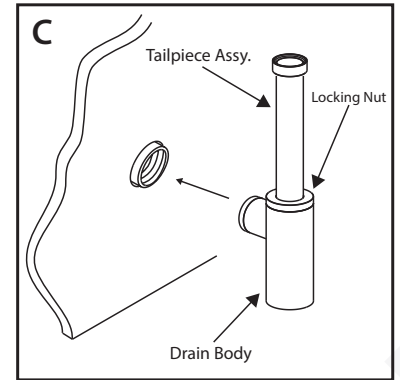
2

Installation

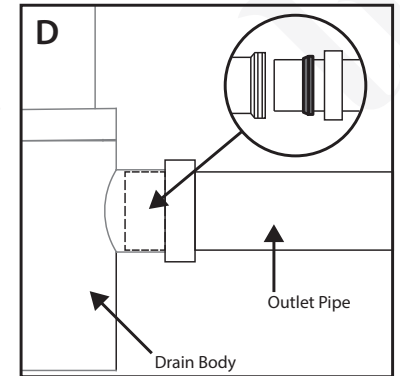
3. Fig. B. Slide inlet locking nut (4) onto tailpiece (3) first and slide the plastic sleeve (5) onto the tailpiece.



4. Slide the tailpiece assembly onto the drain body (6) and hand tighten the inlet locking nut (4). Align the outlet toward the waste drain opening in the wall. Fig. C.



5. Slide the outlet locking nut (8) and rubber seal (7) onto one end of the outlet pipe (9). (NOTE: rubber seal (7) must be installed with tapered end pointing to the bottle drain body as shown.) Insert the outlet pipe (9) fully into the drain body (6) and measure the length of the outlet pipe needed to reach the waste drain. Add 1 inch to the measurement and cut off the excess pipe with a hacksaw. This will ensure the outlet pipe is fully instered into the waste drain.



3